

BC Post Caps



The BC Post Cap allows for the connection of 90 mm or 140 mm beam to post.

Features

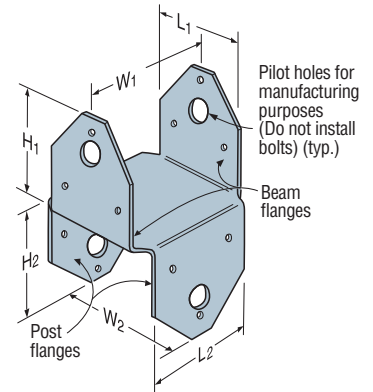
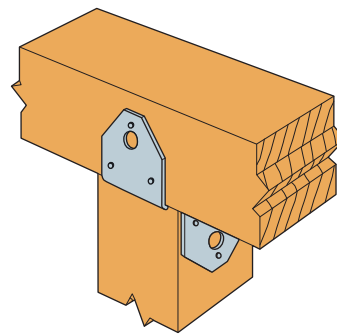
- Easy to install.
- Suits 90 mm square post and 90 mm beam or 140 mm square post and 140 mm beam.
- Compatible with Strong-Drive®SD Connector Screws

Material

- 1.3 mm thick.

Finish

- ZMAX® Galvanisation (BC4Z, BC6Z)
- 316 Stainless Steel (BC4SS, BC6SS)
- For further details refer to corrosion information



Installation

- Use all specified fasteners. See General Notes.

BC Post Cap Product and Technical Data

Model No.	Dimensions (mm)						Fasteners (No. – Length x Dia., mm)		Australia		New Zealand		Box Qty	Barcode
	W ₁	W ₂	L ₁	L ₂	H ₁	H ₂	Beam Flange	Post Flange	Uplift	Lateral	Uplift	Lateral		
									k ₁ = 1.14	k ₁ = 1.14	k ₁ = 1.0	k ₁ = 1.0		
BC4Z	90	90	73	73	76	76	6 – 64x3.75	6 – 64x3.75	3.8	4.1	3.8	4.1	40	707392202608
BC4SS	90	90	73	73	76	76	6 – 64x3.75 SCNR	6 – 64x3.75 SCNR	3.8	4.1	3.8	4.1	40	707392504603
BC6Z	140	140	111	111	86	86	12 – 64x3.75	12 – 64x3.75	4.4	8.7	4.4	8.7	10	707392817505
BC6SS	140	140	111	111	86	86	12 – 64x3.75 SCNR	12 – 64x3.75 SCNR	4.4	8.7	4.4	8.7	1	707392455905

- Design Capacity is the lesser of (1) the Characteristic Capacity multiplied by the Australian Capacity Factor, or the NZ Strength Reduction Factor (ϕ), and applicable the k modification factors following AS 1720.1 and NZS 3603 and (2) the Serviceability Capacity which is the load at 3.2 mm joint slip. Design Capacity is the minimum of test data and structural joint calculation
- For Australia, the Capacity Factor (ϕ) is 0.85 for nails and screws for structural joints in a Category 1 application. Reduce tabulated values where other Category applications govern. For NZ, the Strength Reduction Factor (ϕ) is 0.80 for nails in lateral loading.
- Duration of Load Factor (k₁) is as shown. Reduce Duration of Load Factor where applicable. Capacities may not be increased.
- Timber species for joint design is seasoned Radiata Pine, which is Australia Joint Group JD4 per AS 1720.1 Table H2.4 and New Zealand Joint Group J5 per NZS 3603 Table 4.1.
- Allowable loads have been increased for wind or earthquake with no further increase allowed; reduce where other loads govern.
- Structural composite timber columns have sides that show either the wide face or the edges of the timber strands/veneers. Values in the tables reflect installation into the wide face.
- Base design loads assumes nails have full penetration into supporting member. Loads do not apply to end grain post installations.
- Simpson Strong-Tie® SCNR Ring Shank 64x3.75 mm nails shall be used with the BCSS models.
- The Design Capacities shall be multiplied by 1.10 when 75 x 3.75 mm nails are used instead of the specified 64 x 3.75 mm nails.
- Post and beam may consist of multiple members provided they are connected independently of the post cap fasteners.
- Nails and Strong-Drive SD Connector screws may not be combined in a connection.