

Post Bases and Post Caps

LCE Post Cap

Designed to provide a secure connection when the end of a beam bears on a post, the versatile, two-piece LCE4 can accommodate 90mm or 140mm timber and features a universal design that eliminates right and left versions.

- Stronger than toenailing.
- Eliminates the need to nail into the end grain of the post.

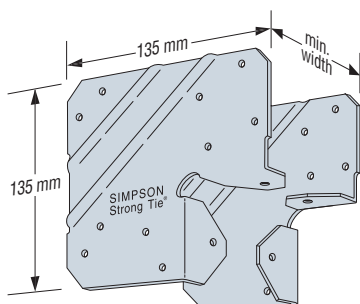
Material: 1mm thick.

Finish: Galvanised. See Corrosion Information.

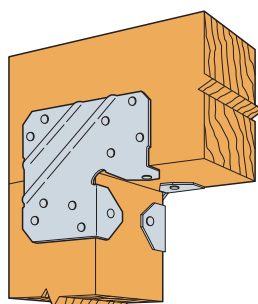
Installation

- Use all specified fasteners. See General Notes.
- Must be installed in pairs.

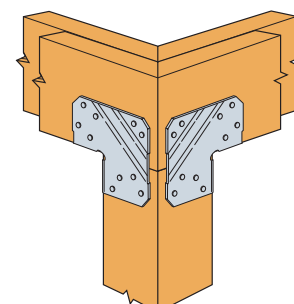
Typical Installation



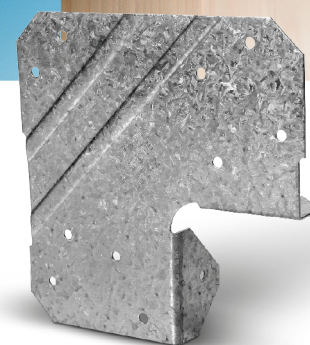
LCE4



Typical LCE4 installation



Typical LCE4 corner installation



LCE4

LCE Technical Data

Model No.	Dimensions (mm)		Fasteners (No. – Length x Dia., mm)		Country	Design Capacity (kN)	
	W	L	Beam	Post		Uplift	Lateral
LCE4	135	135	14 – 75 x 3.75	10 – 75 x 3.75	AU	$k_1 = 1.14$	$k_1 = 1.14$
						6.95	7.90
LCE4	135	135	14 – 75 x 3.75	10 – 75 x 3.75	NZ	$k_1 = 1.0$	$k_1 = 1.0$
						6.95	7.44

1. Design Capacity is the lesser of (1) the Characteristic Capacity multiplied by the Australian Capacity Factor, or the NZ Strength Reduction Factor (ϕ), and applicable the k modification factors following AS 1720.1 and NZS 3603 and (2) the Serviceability Capacity which is the load at 3.2mm joint slip. Design Capacity is the minimum of test data and structural joint calculation.
2. For Australia, the Capacity Factor (ϕ) is 0.85 for nails and screws for structural joints in a Category 1 application. Reduce tabulated values where other Category applications govern. For NZ, the Strength Reduction Factor (ϕ) is 0.80 for nails in lateral loading.
3. Duration of Load Factor (k_1) is as shown. Reduce Duration of Load Factor where applicable. Capacities may not be increased.
4. Timber species for joint design is seasoned Radiata Pine, which is Australia Joint Group JD4 per AS 1720.1 Table H2.4 and New Zealand Joint Group J5 per NZS 3603 Table 4.1.
5. LCE4 Design Uplift Capacity for mitered corner conditions is 8.83 kN for Australia 8.31 kN for NZ. Lateral loads do not apply.
6. Loads only apply when used in pairs.
7. Structural composite timber columns have sides that either show the wide face or the edges of the timber strands/veneers, known as the narrow face. Values in the table reflect installation into the wide face.